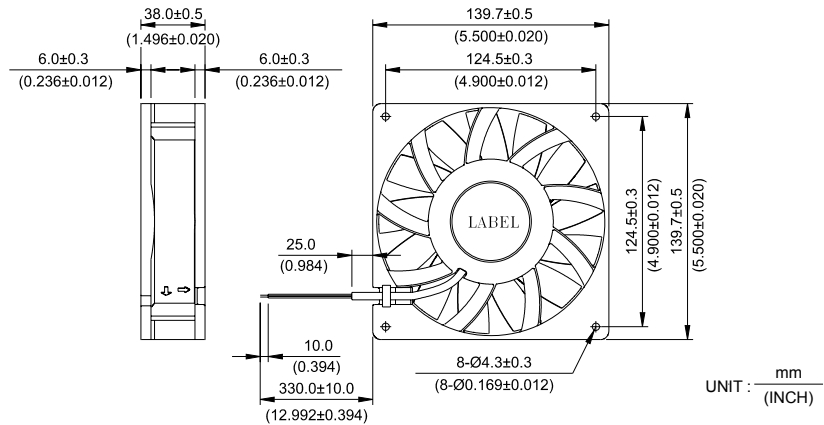


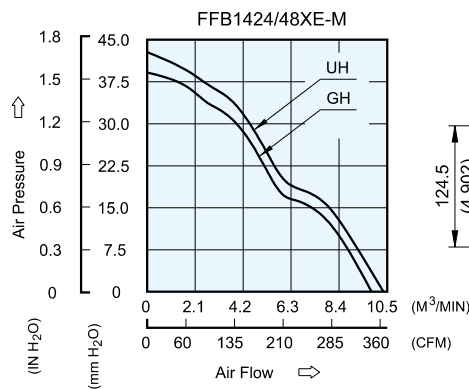
# FFB 140 x 140 x 38 MM SERIES

## DIMENSIONS DRAWING

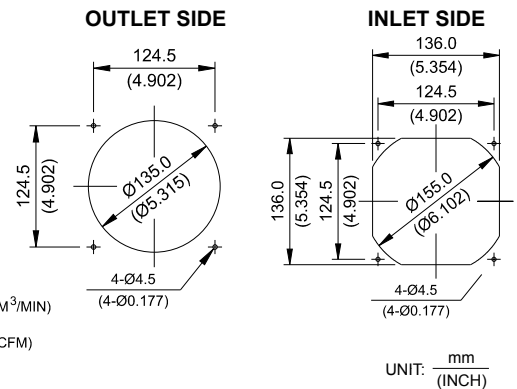


- \* Bearing Type  
Ball Bearings
- \* Material  
Impeller : Plastic (UL 94V-0)  
Frame: Die-cast Aluminum
- \* Lead Wires :  
UL 1430 AWG #22 OR Equivalent  
Red Wire Positive (+)  
Black Wire Negative (-)
- \* Weight : 650g (22.93 oz)

## P & Q CURVE (AT RATED VOLTAGE)



## MOUNTING PANEL CUTOUT



MODEL			Rated Voltage	Operating Voltage Range	Rated Current	Rated Input Power	Speed	Maximum Air Flow		Maximum Air Pressure		Noise
PART NO.	REV.	FUNCTION	VDC	VDC	Amp	Watt	R.P.M.	m <sup>3</sup> /min	CFM	mmH <sub>2</sub> O	IN H <sub>2</sub> O	dB-A
FFB1424GHE	-M	-R00 / -F00	24	14.0 to 26.4	2.98	71.52	5250	9.827	347.04	38.16	1.502	73.0
FFB1448GHE	-M	-R00 / -F00	48	36.0 to 53.0	1.50	72.00						
FFB1424UHE	-M	-R00 / -F00	24	14.0 to 26.4	3.35	80.40	5500	10.410	367.62	41.75	1.644	74.0
FFB1448UHE	-M	-R00 / -F00	48	36.0 to 53.0	1.80	86.40						

- \* Function type is optional.
- \* The max. air flow and the speed are measured in free air ; max. air pressure is measured at zero air flow.
- \* Noise is measured in anechoic chamber in free air, one meter from intake side.
- \* All readings are typical values at rated voltage.
- \* Specifications are subject to change without notice.